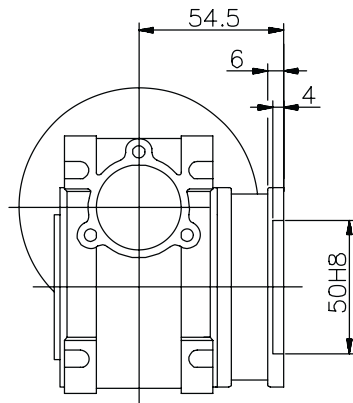
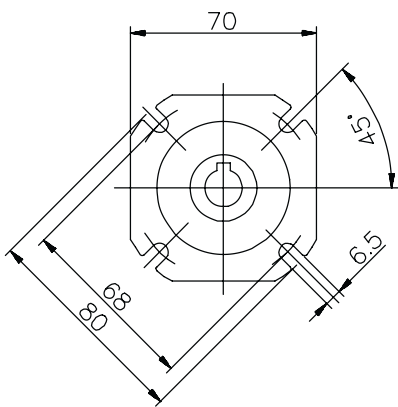
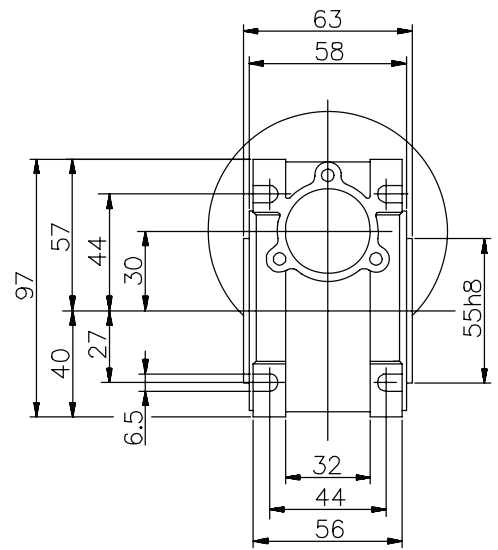
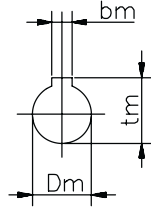
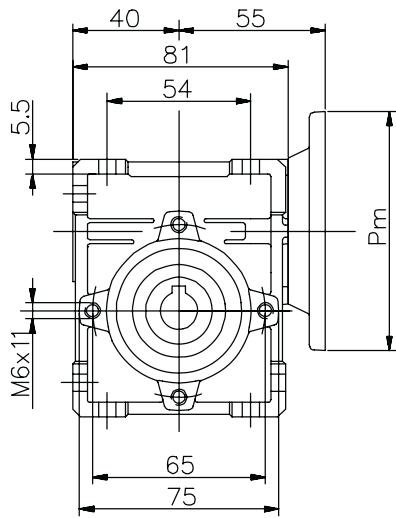
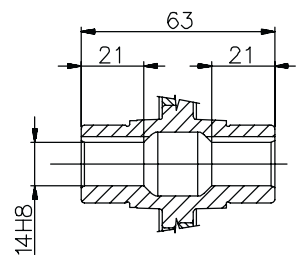
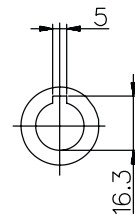
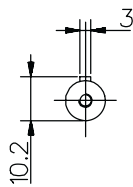
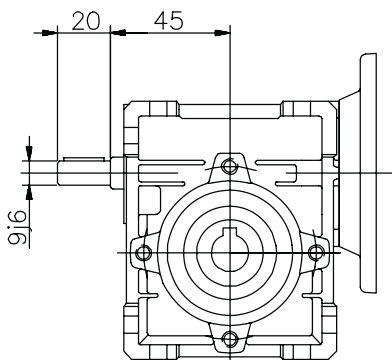


ALUMINIUM WORM GEARBOX

Size 30 Dimension



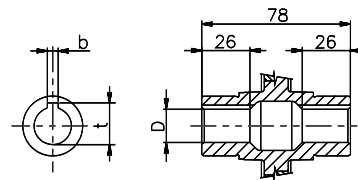
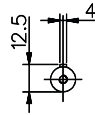
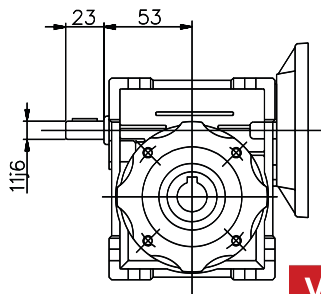
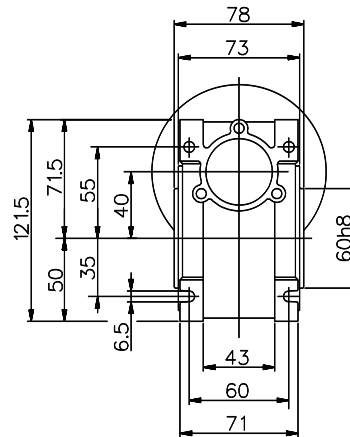
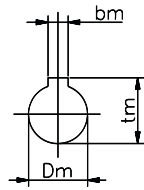
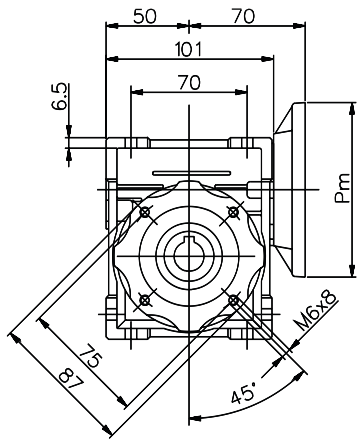
FA



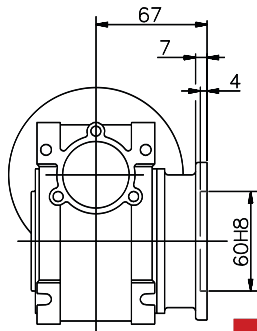
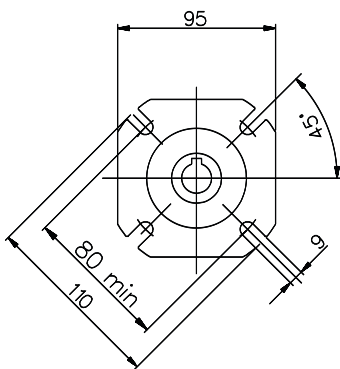
VS

Weight without motor = 1.2 kg

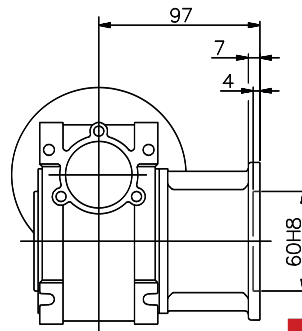
Size 40 Dimension



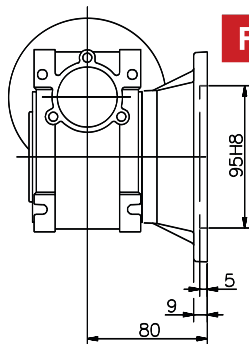
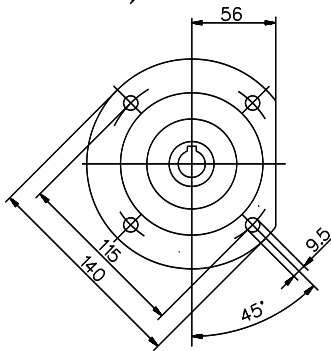
VS



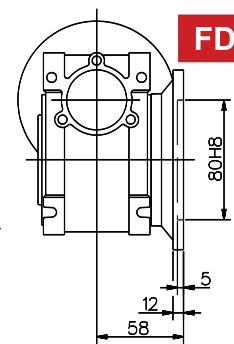
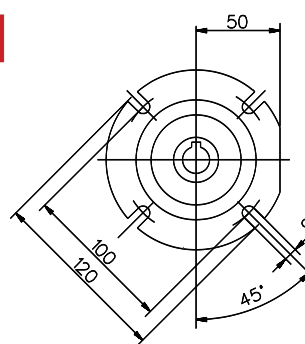
FA



FB



FC



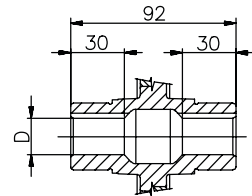
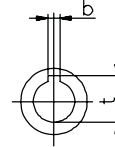
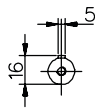
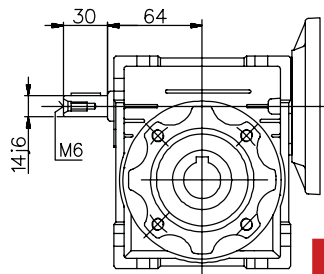
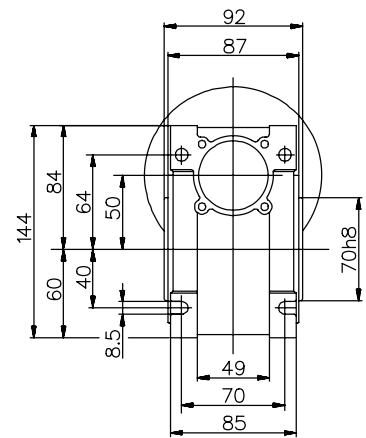
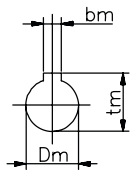
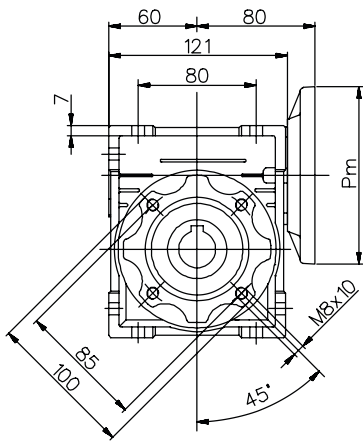
FD

PAM IEC	Pm	Dm E8	bm	tm
71B5	160	14	5	16.3
63B5	140	11	4	12.8
56B5	120	9	3	10.4
71B14	105	14	5	16.3
63B14	90	11	4	12.8

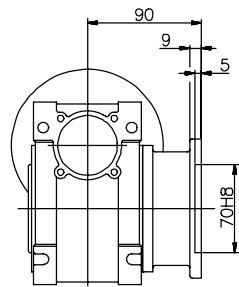
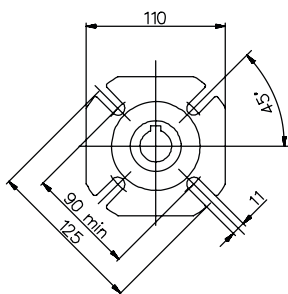
Output		
D H8	b	t
18	6	20.8
(19)	(6)	(21.8)
(..) Only on request		

Weight without motor = 2.3 kg

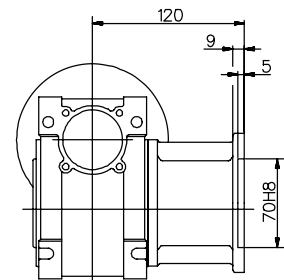
Size 50 Dimension



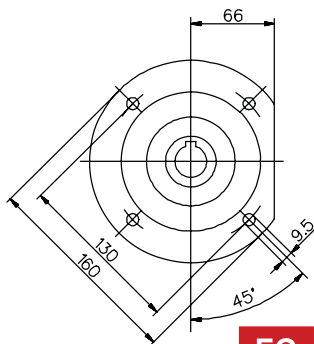
VS



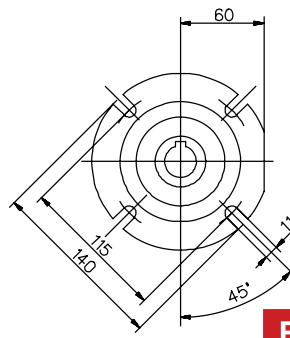
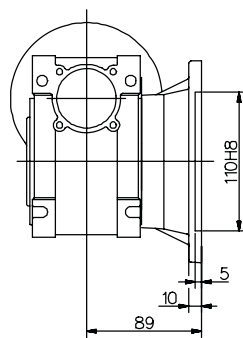
FA



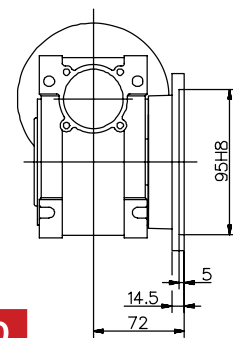
FB



FC



FD

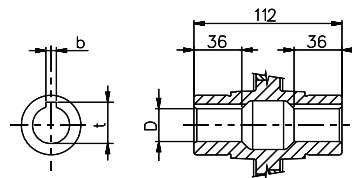
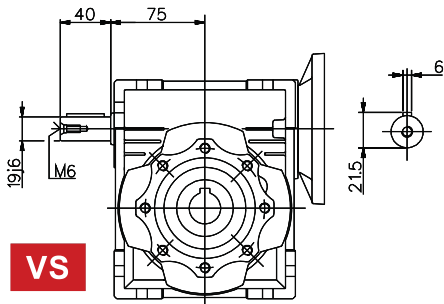
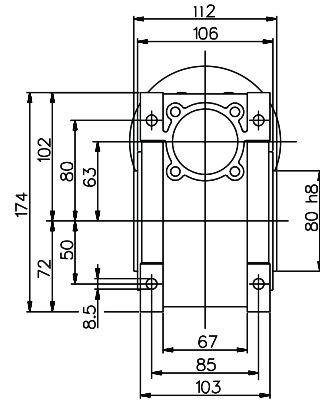
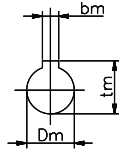
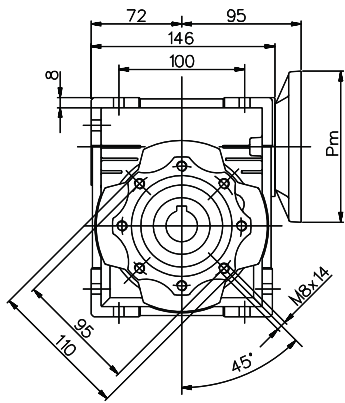


PAM IEC	Pm	Dm E8	bm	tm
80B5	200	19	6	21.8
71B5	160	14	5	16.3
63B5	140	11	4	12.8
80B14	120	19	6	21.8
71B14	105	14	5	16.3

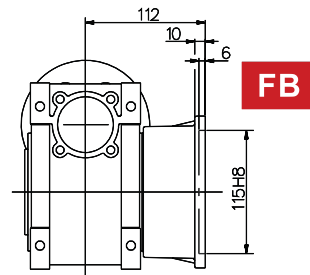
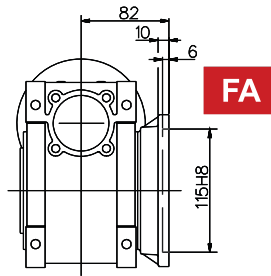
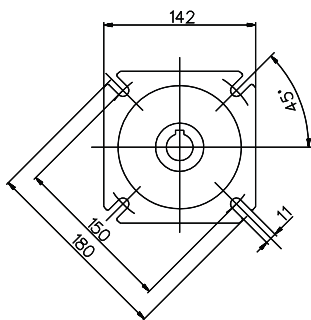
Output		
D H8	b	t
25	8	28.3
(24)	(8)	(27.3)
(..) Only on request		

Weight without motor = 3.5 kg

Size 63 Dimension



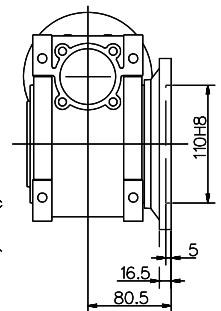
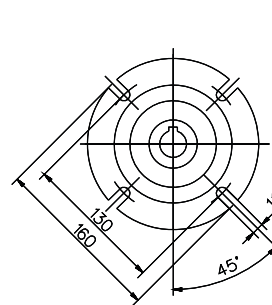
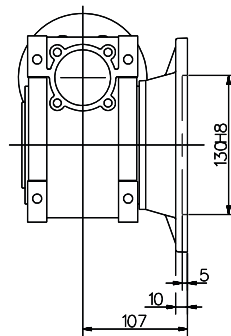
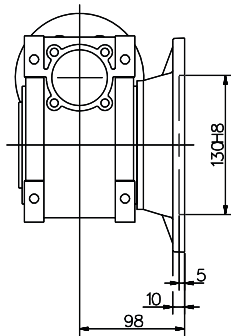
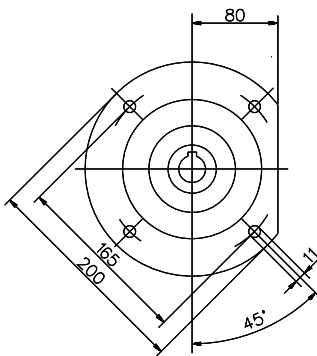
VS



FC

FD

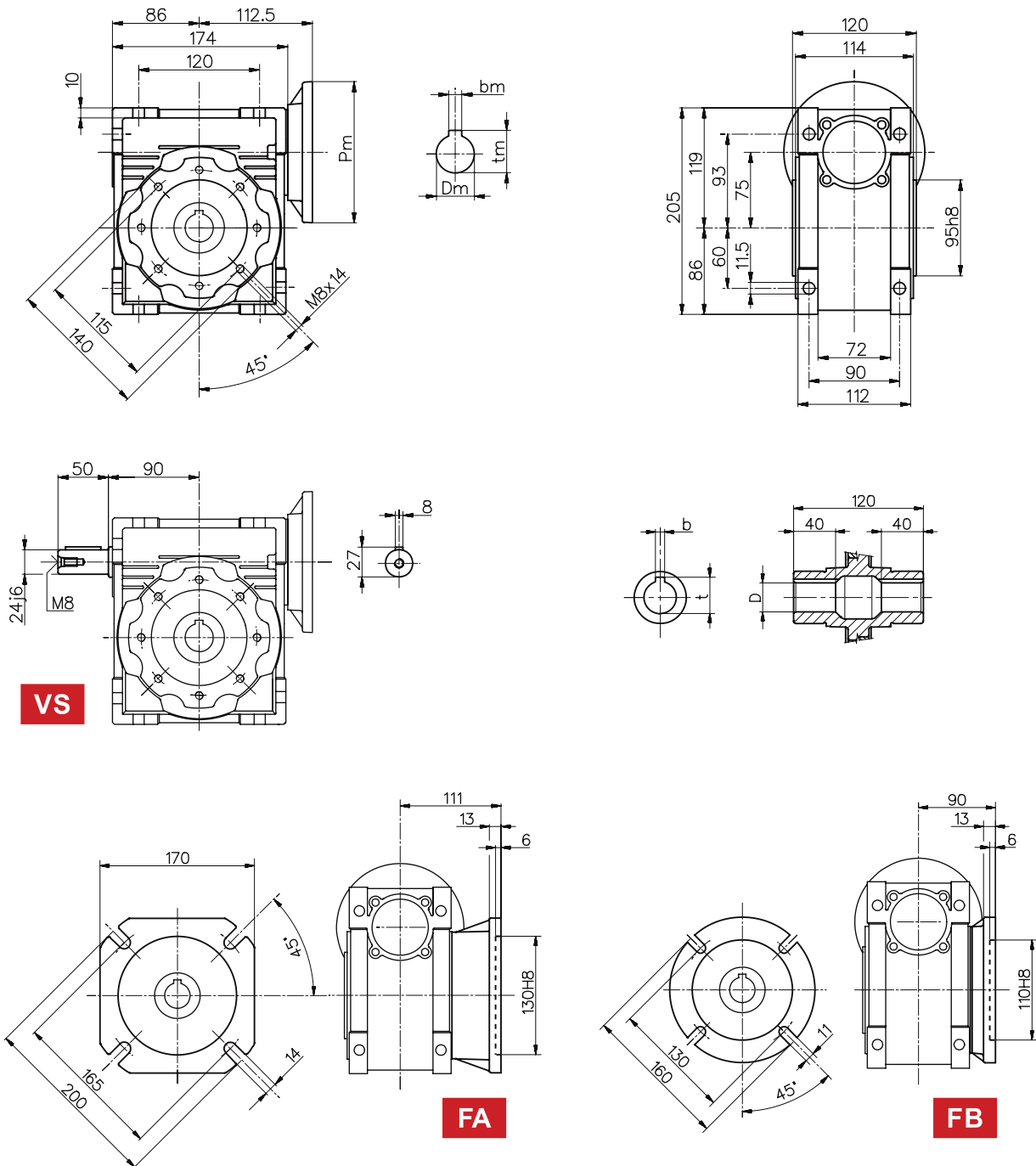
FE



PAM IEC	Pm	Dm E8	bm	tm	Output		
					D H8	b	t
90B5	200	24	8	27.3	25	8	28.3
80B5	200	19	6	21.8	(28)	(8)	(31.3)
71B5	160	14	5	16.3	(..) Only on request		
90B14	140	24	8	27.3			
80B14	120	19	6	21.8			
71B14	105	14	5	16.3			

Weight without motor = **6.2 kg**

Size 75 Dimension



VS

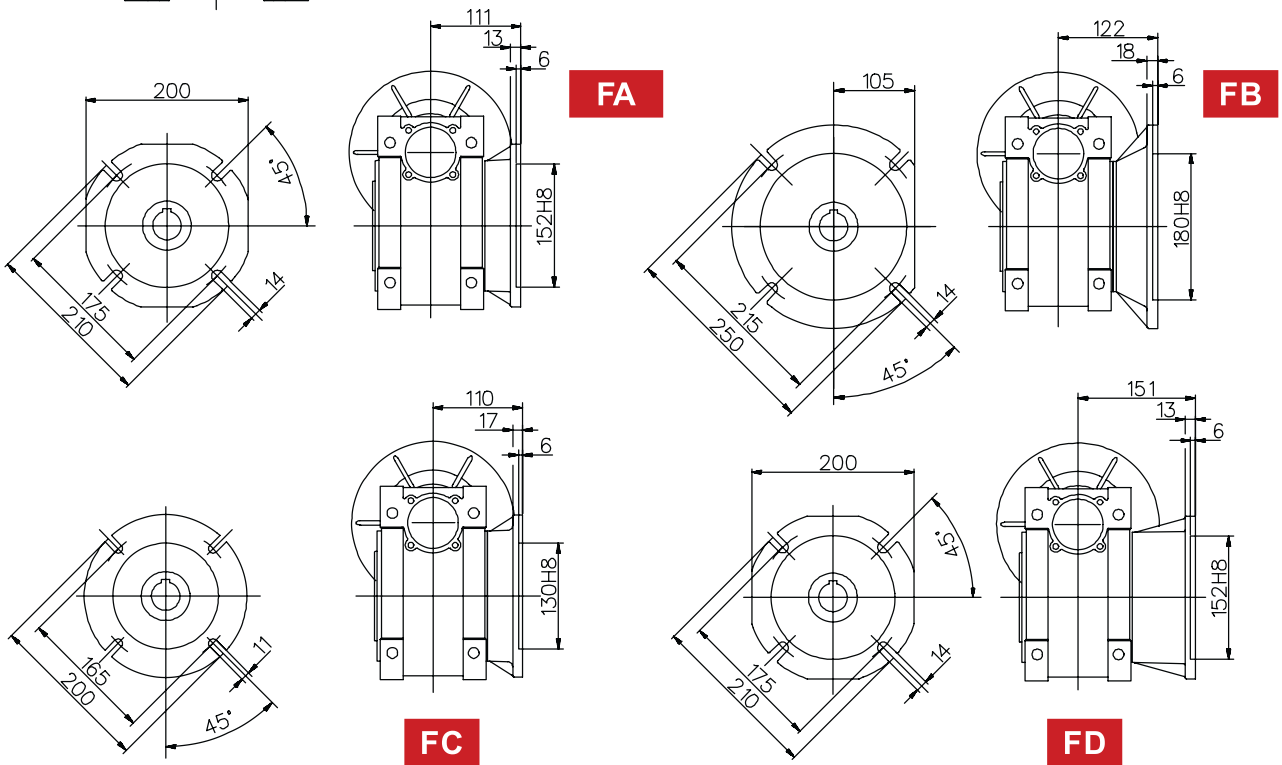
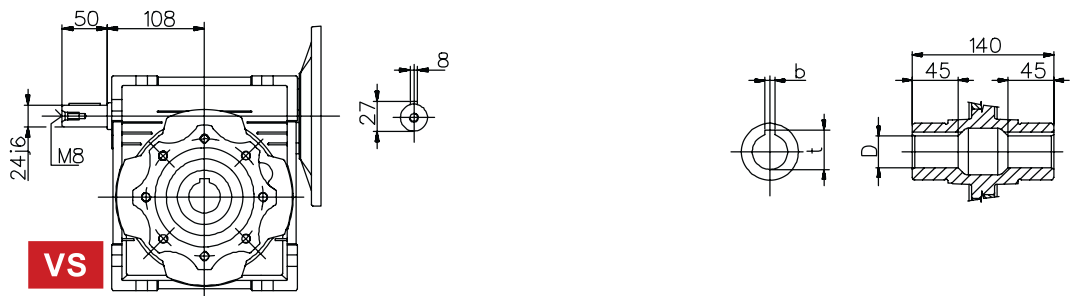
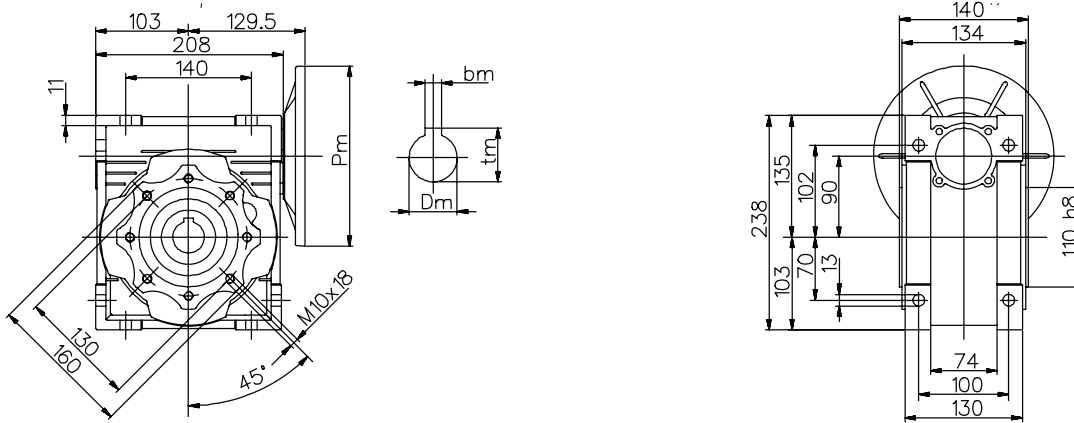
FA

FB

PAM IEC	Pm	Dm E8	bm	tm	Output		
					D H8	b	t
100/112B5	250	28	8	31.3	28	8	31.3
90B5	200	24	8	27.3	(35)	(10)	(38.3)
80B5	200	19	6	21.8	(..) Only on request		
100/112B14	160	28	8	31.3			
90B14	140	24	8	27.3			
80B14	120	19	6	21.8			

Weight without motor = **9 kg**

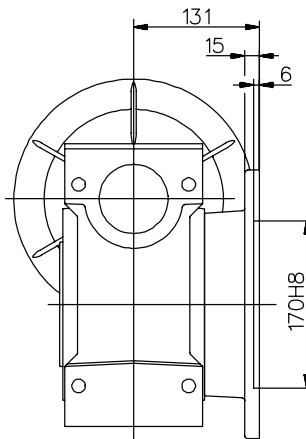
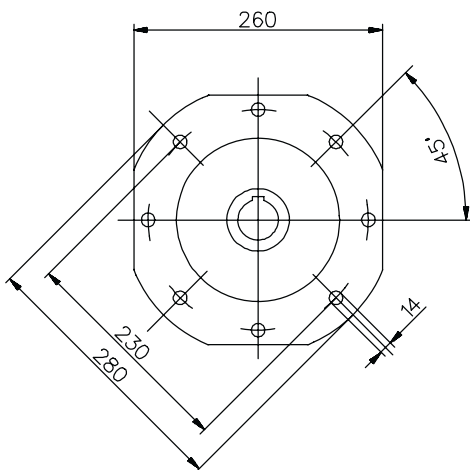
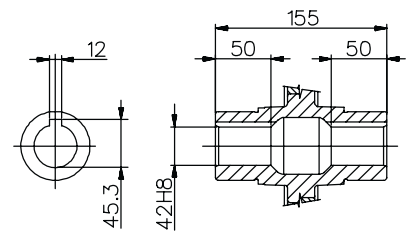
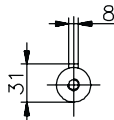
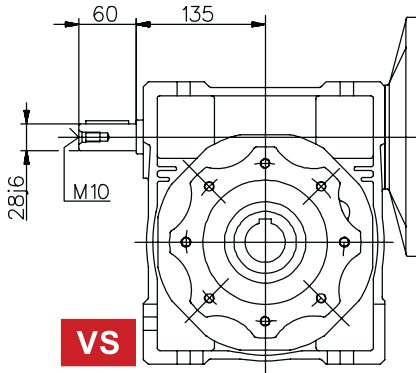
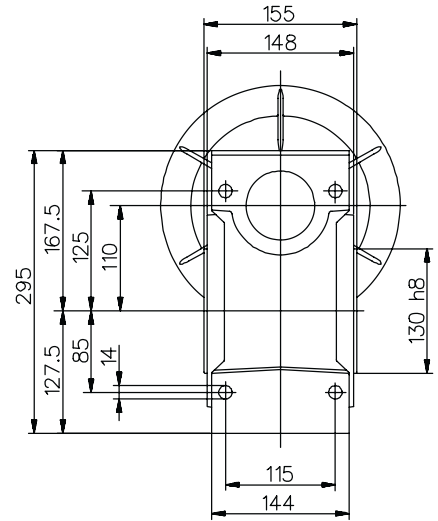
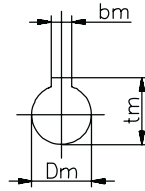
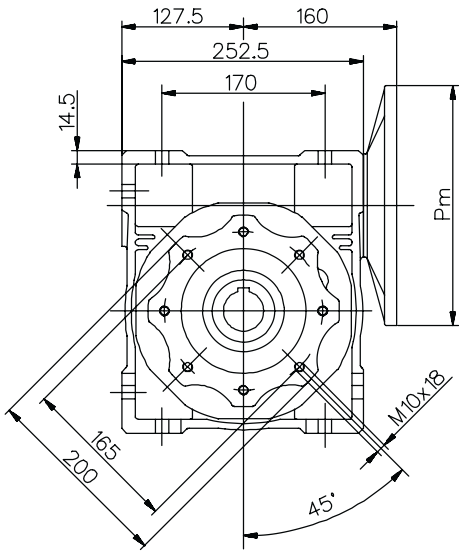
Size 90 Dimension



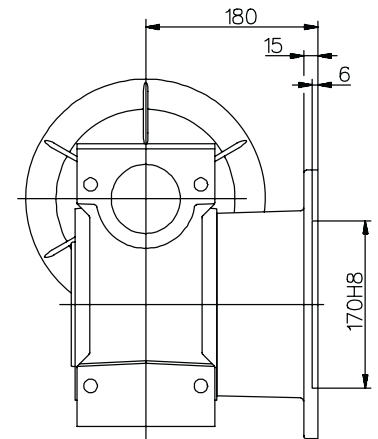
PAM IEC	Pm	Dm E8	bm	tm	Output		
					D H8	b	t
100/112B5	250	28	8	31.3	35	10	38.3
90B5	200	24	8	27.3	(35)	(10)	(41.3)
80B5	200	19	6	21.8	(..) Only on request		
100/112B14	160	28	8	31.3			
90B14	140	24	8	27.3			
80B14	120	19	6	21.8			

Weight without motor = 13 kg

Size 110 Dimension



FA



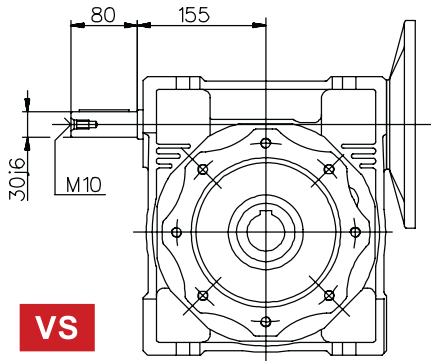
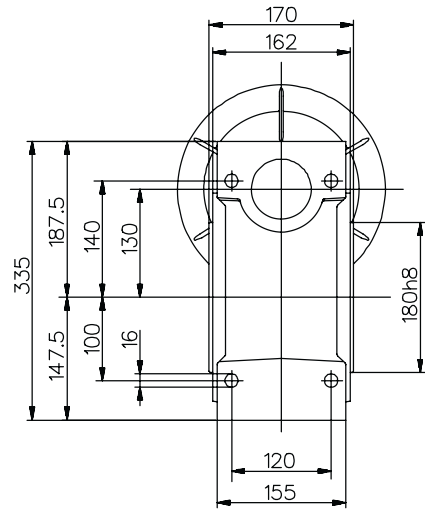
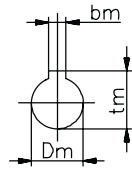
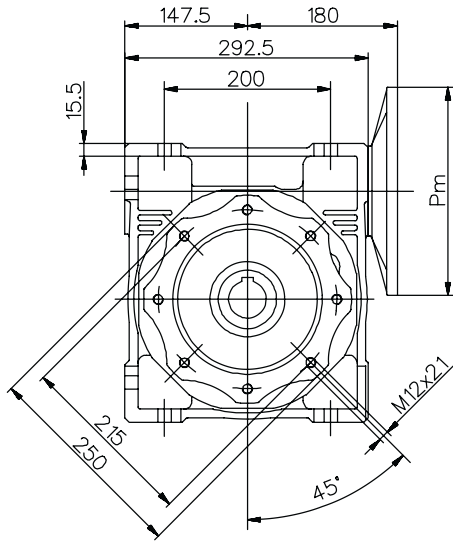
FB

PAM IEC	Pm	Dm E8	bm	tm
132B5	300	38	10	41.3
112B5	250	28	8	31.3
100B5	250	28	8	31.3
90B5	200	24	8	27.3

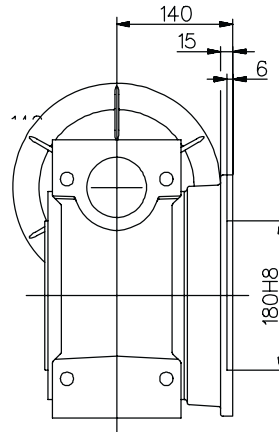
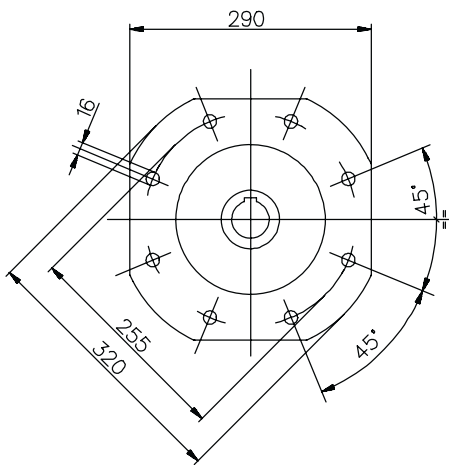
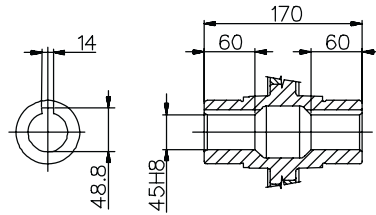
Output		
D H8	b	t
45	14	48.8

Weight without motor = 48 kgs

Size 130 Dimension



VS



FA

PAM IEC	Pm	Dm E8	bm	tm
132B5	300	38	10	41.3
112B5	250	28	8	31.3
100B5	250	28	8	31.3
90B5	200	24	8	27.3

Output		
D H8	b	t
45	14	48.8

Weight without motor = 48 kgs

JCP GEARBOX SOLUTIONS

Manufacturer & Traders :

WORM REDUCTION GEARBOX

(Cast Iron & Aluminium Housing)

HELICAL GEARBOX, GEAR MOTORS and GEAR SETS

Contact us :

+91 - 9428203724

jcpgearbox1@gmail.com

www.jcpgearbox.com